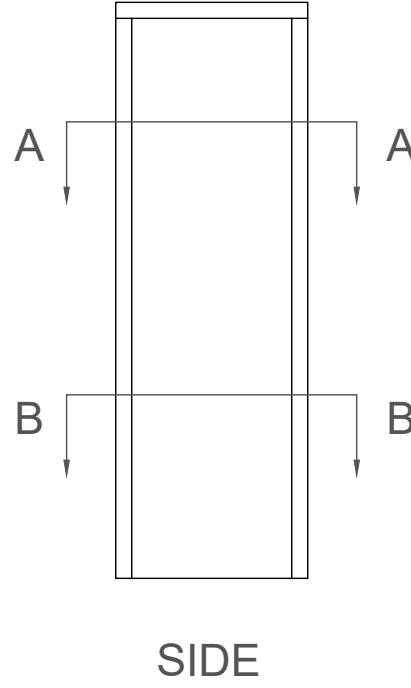
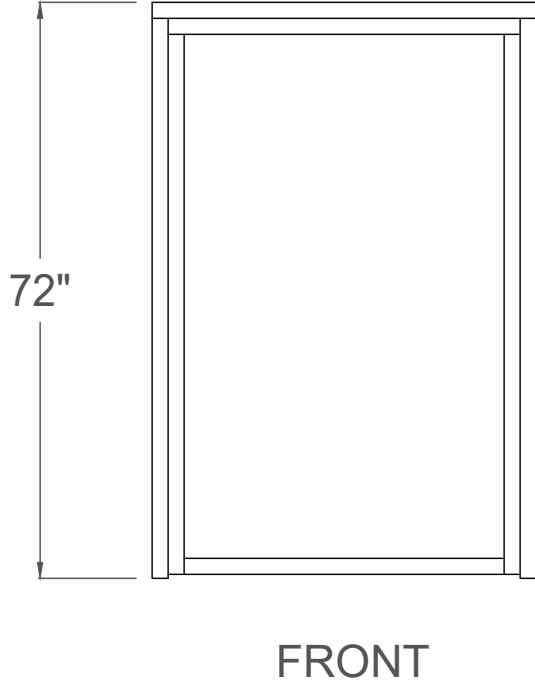
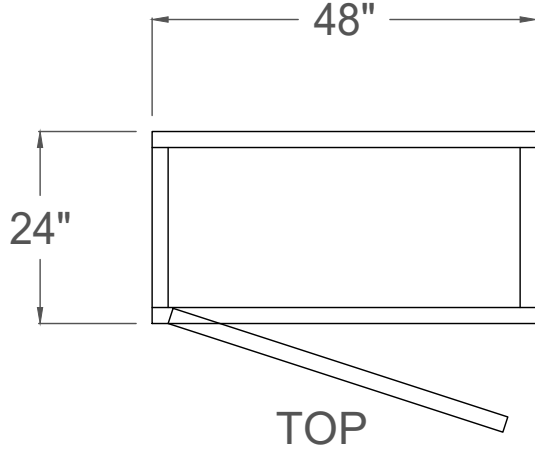


DRAWING SCHEDULE 2" SIDE WITH HOSE BIB

PDF LABEL	DRAWING NUMBER	DRAWING NAME
A2SHB1	1 of 9	ENCLOSURE LAYOUT
A2SHB2	2 of 9	ENCLOSURE LAYOUT SECTION A-A
A2SHB3	3 of 9	ENCLOSURE LAYOUT SECTION B-B
A2SHB4	4 of 9	COMPONENT LAYOUT
A2SHB5	5 of 9	ELECTRICAL COMPONENTS
A2SHB6	6 of 9	PLUMBING COMPONENTS
A2SHB7	7 of 9	PLUMBING / ELECTRICAL
A2SHB8	8 of 9	SLAB LAYOOUT DETAIL
A2SHB9	9 of 9	SAMPLE SITE DRAWING
A2SHB		DRAWING SCHEDULE



AQUA FLOW INT'L. INC.  
 P.O. BOX 2841  
 FLAGSTAFF, AZ. 86003  
 (928) 380-6164

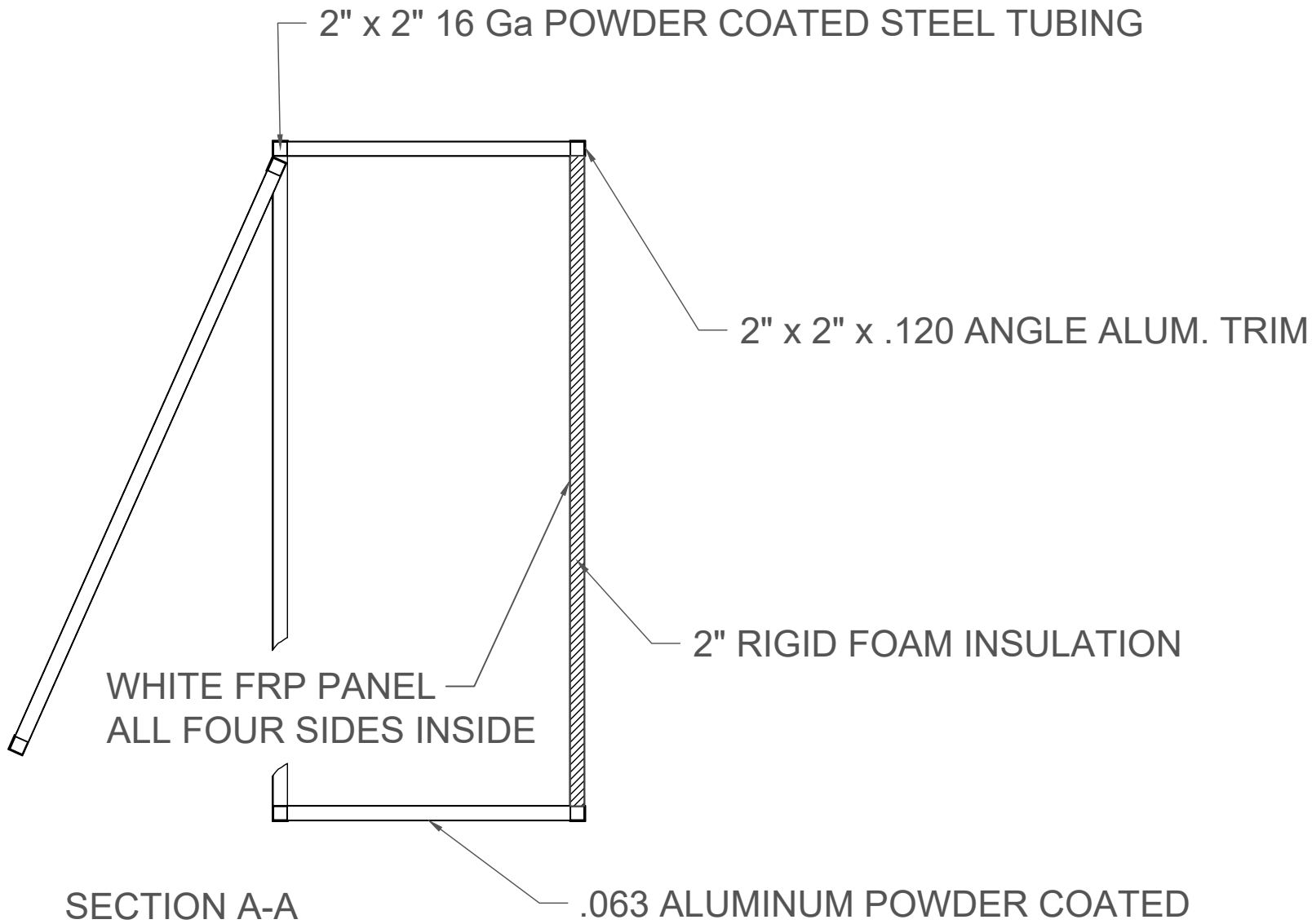


2" SIDE WITH HOSE BIB  
 LOADING STATION

ENCLOSURE LAYOUT

SCALE: 1/2" = 1'-0"

1 OF 9



AQUA FLOW INT'L. INC.  
 P.O. BOX 2841  
 FLAGSTAFF, AZ. 86003  
 (928) 380-6164



2" SIDE WITH HOSE BIB  
 LOADING STATION

ENCLOSURE LAYOUT  
 SECTION A-A

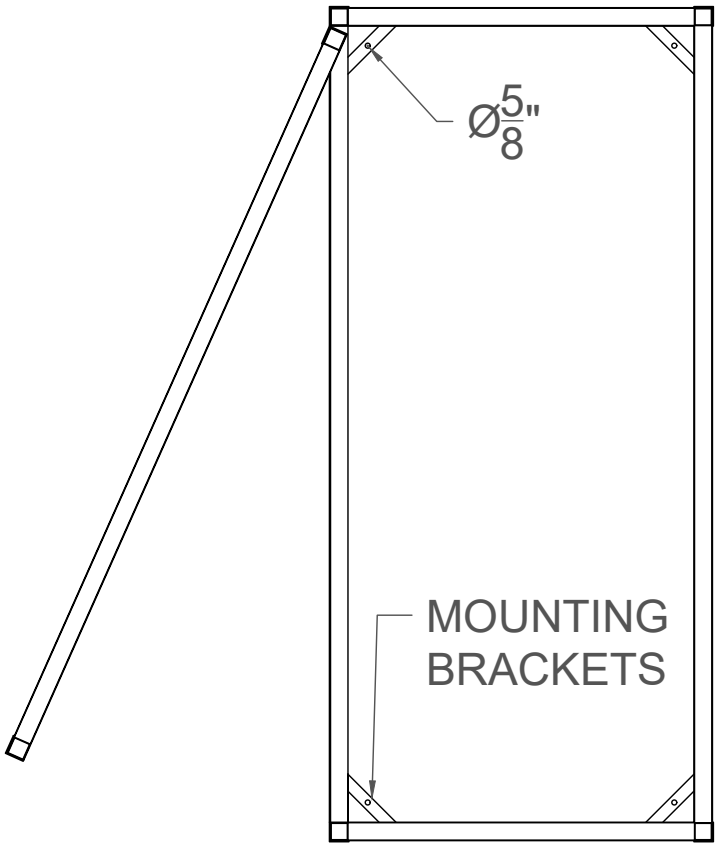
SCALE: 1" = 1'-0"

2

OF

9

SECTION B-B

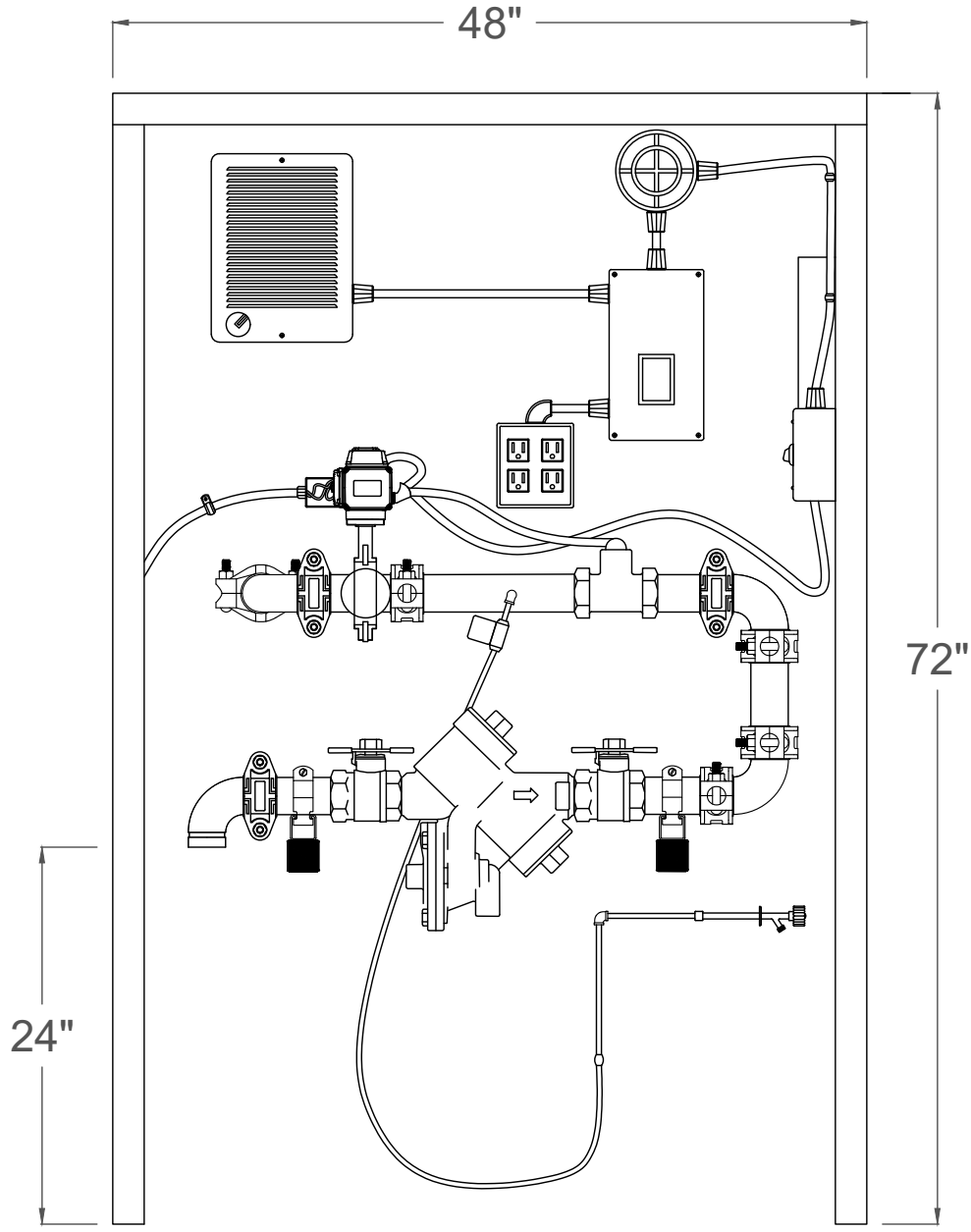


3 OF 9

2" SIDE WITH HOSE BIB  
LOADING STATION  
ENCLOSURE LAYOUT  
SECTION B-B  
SCALE: 1" = 1'-0"



AQUA FLOW INT'L. INC.  
P.O. BOX 2841  
FLAGSTAFF, AZ. 86003  
(928) 380-6164



2" SIDE WITH HOSE BIB  
LOADING STATION

COMPONENT LAYOUT

SCALE: 1" = 1'-0"

4

OF

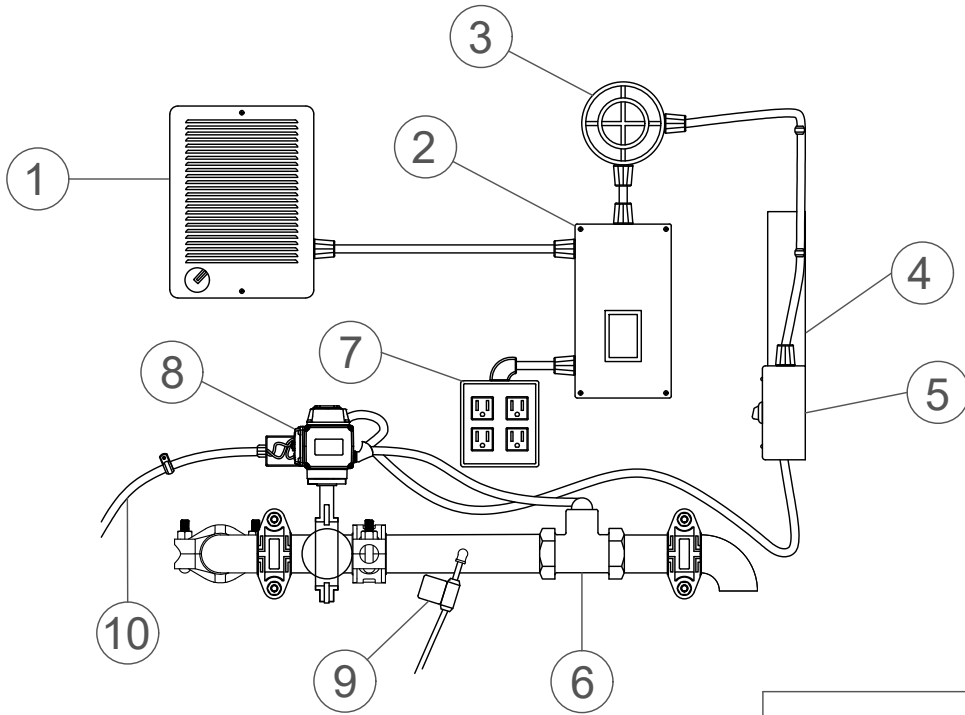
9



AQUA FLOW INT'L. INC.

P.O. BOX 2841  
FLAGSTAFF, AZ. 86003

(928) 380-6164



NOTE:  
 CUSTOMER INTERFACE PANEL  
 CAN BE MOUNTED ON EITHER  
 SIDE OF ENCLOSURE.

**BILL OF MATERIALS**

ITEM	QUAN.	DESCRIPTION
1	1	HEATER
2	1	SUB PANEL
3	1	LIGHT
4	1	CUSTOMER INTERFACE
5	1	LIGHT SWITCH
6	1	FLOW SENSOR
7	1	RECEPTICLE
8	1	BUTTERFLY VALVE
9	1	HOSE BIB VALVE
10		1/2" LFMC

AQUA FLOW INT'L. INC.  
 P.O. BOX 2841  
 FLAGSTAFF, AZ. 86003  
 (928) 380-6164

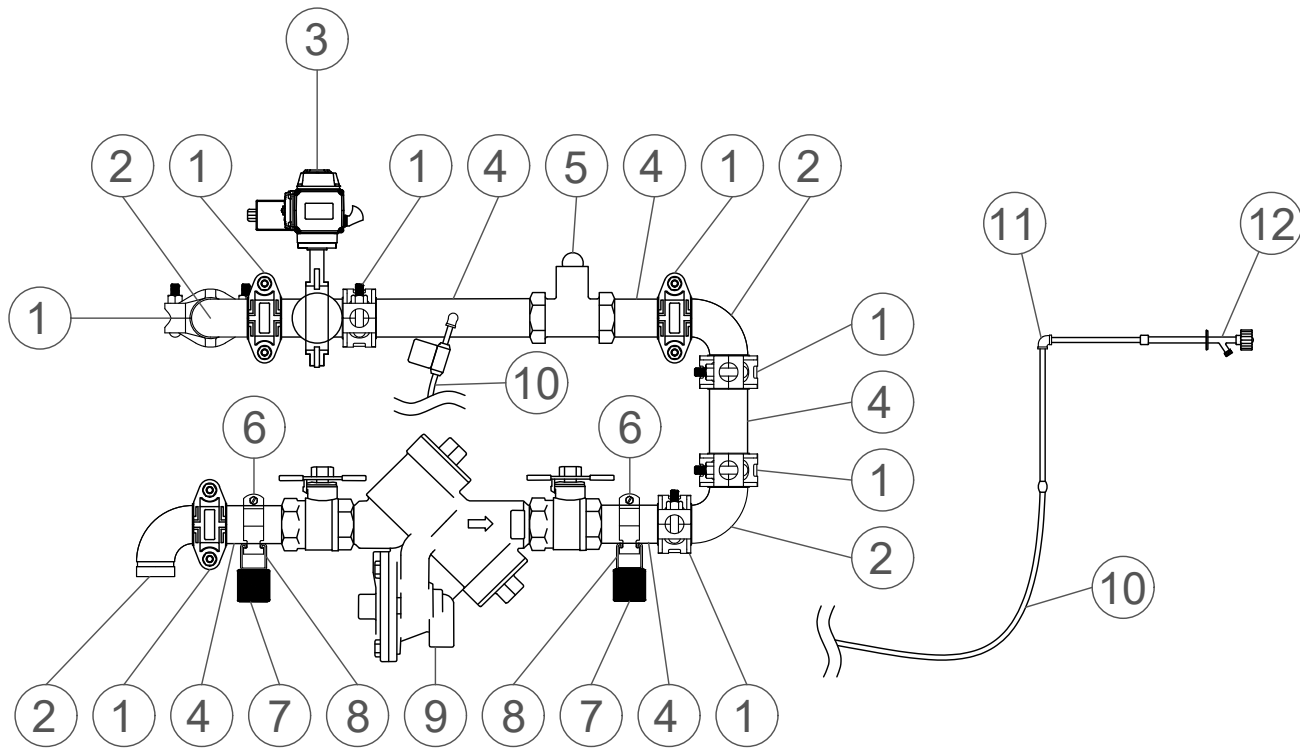


2" SIDE WITH HOSE BIB  
 LOADING STATION

ELECTRICAL COMPONENTS

SCALE: 1" = 1'-0"

5 OF 9



AQUA FLOW INT'L. INC.  
 P.O. BOX 2841  
 FLAGSTAFF, AZ. 86003  
 (928) 380-6164



**BILL OF MATERIALS**

ITEM	QUAN.	DESCRIPTION	ITEM	QUAN.	DESCRIPTION
1	8	CLAMP	7	2	2 X 2 SQUARE TUBING
2	4	ELBOW	8	2	UNISTRUT
3	1	BUTTERFLY VALVE	9	1	BACK FLOW
4	5	2" PIPE	10		1/2" PEX
5	5	FLOW SENSOR	11	1	1/2" ELBOW
6	2	UNISTRUT CLAMP	12	1	HOSE BIB

2" SIDE WITH HOSE BIB  
 LOADING STATION

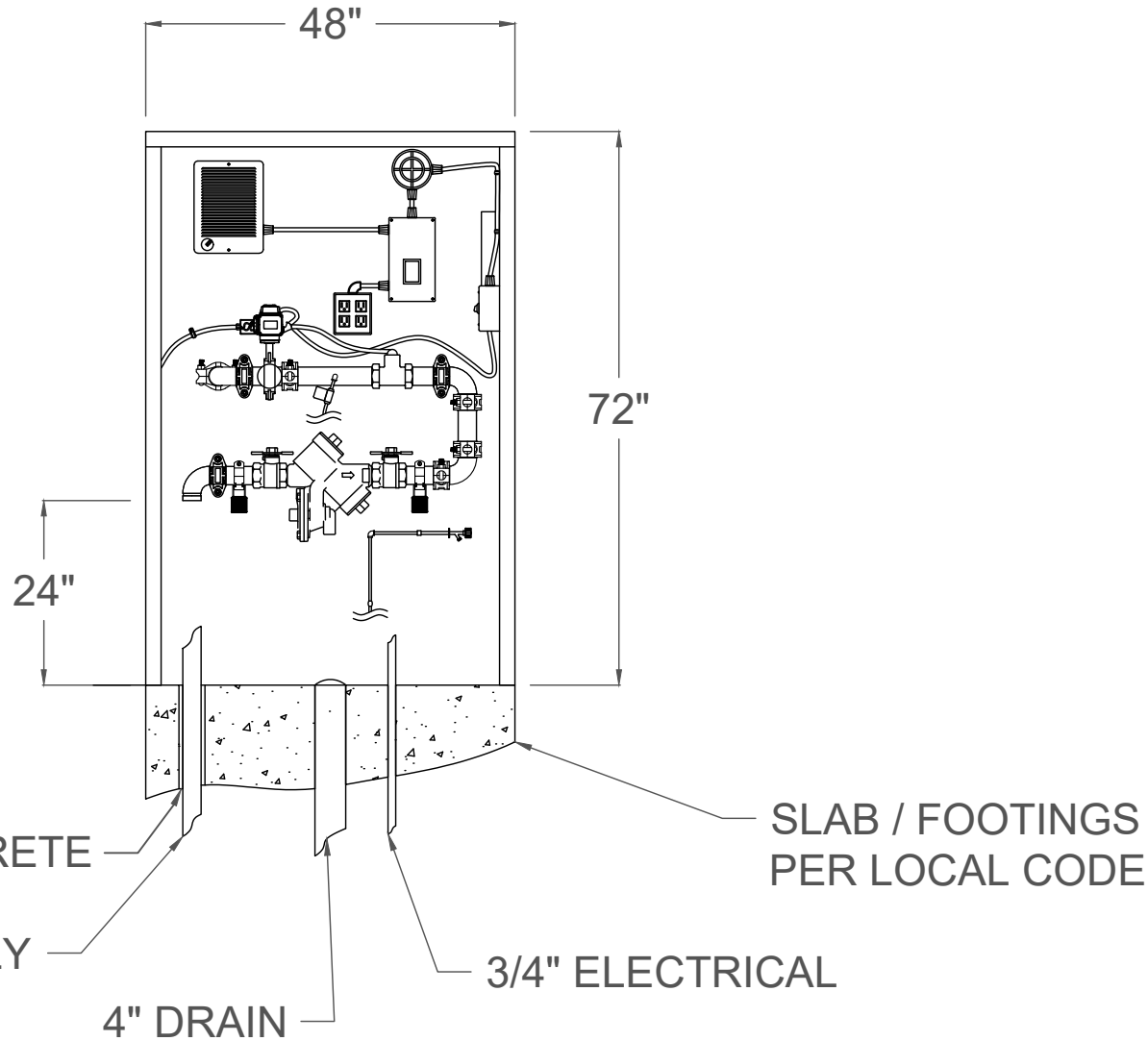
PLUMBING COMPONENTS

SCALE: 1" = 1'-0"

6

OF

9



PLEASE SEE SLAB DETAILS FOR PLACEMENT OF SUPPLY AND DRAIN.

AQUA FLOW INT'L. INC.  
 P.O. BOX 2841  
 FLAGSTAFF, AZ. 86003  
 (928) 380-6164

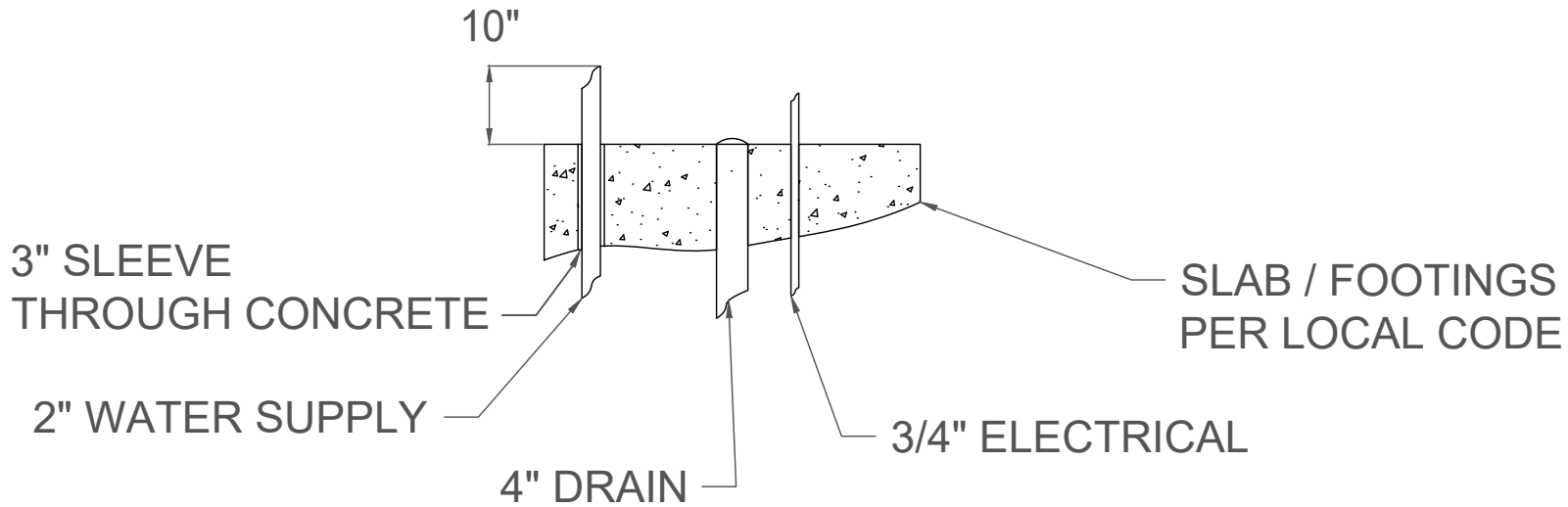
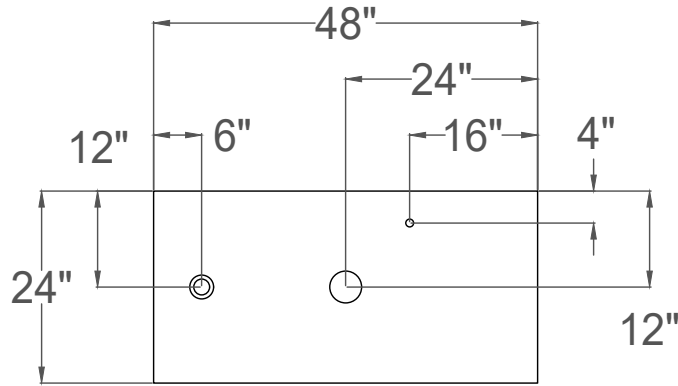


2" SIDE WITH HOSE BIB  
 LOADING STATION

ENCLOSURE LAYOUT  
 PLUMBING / ELECTRICAL

SCALE: 1/2" = 1'-0"





AQUA FLOW INT'L. INC.  
 P.O. BOX 2841  
 FLAGSTAFF, AZ. 86003  
 (928) 380-6164



2" SIDE WITH HOSE BIB  
 LOADING STATION

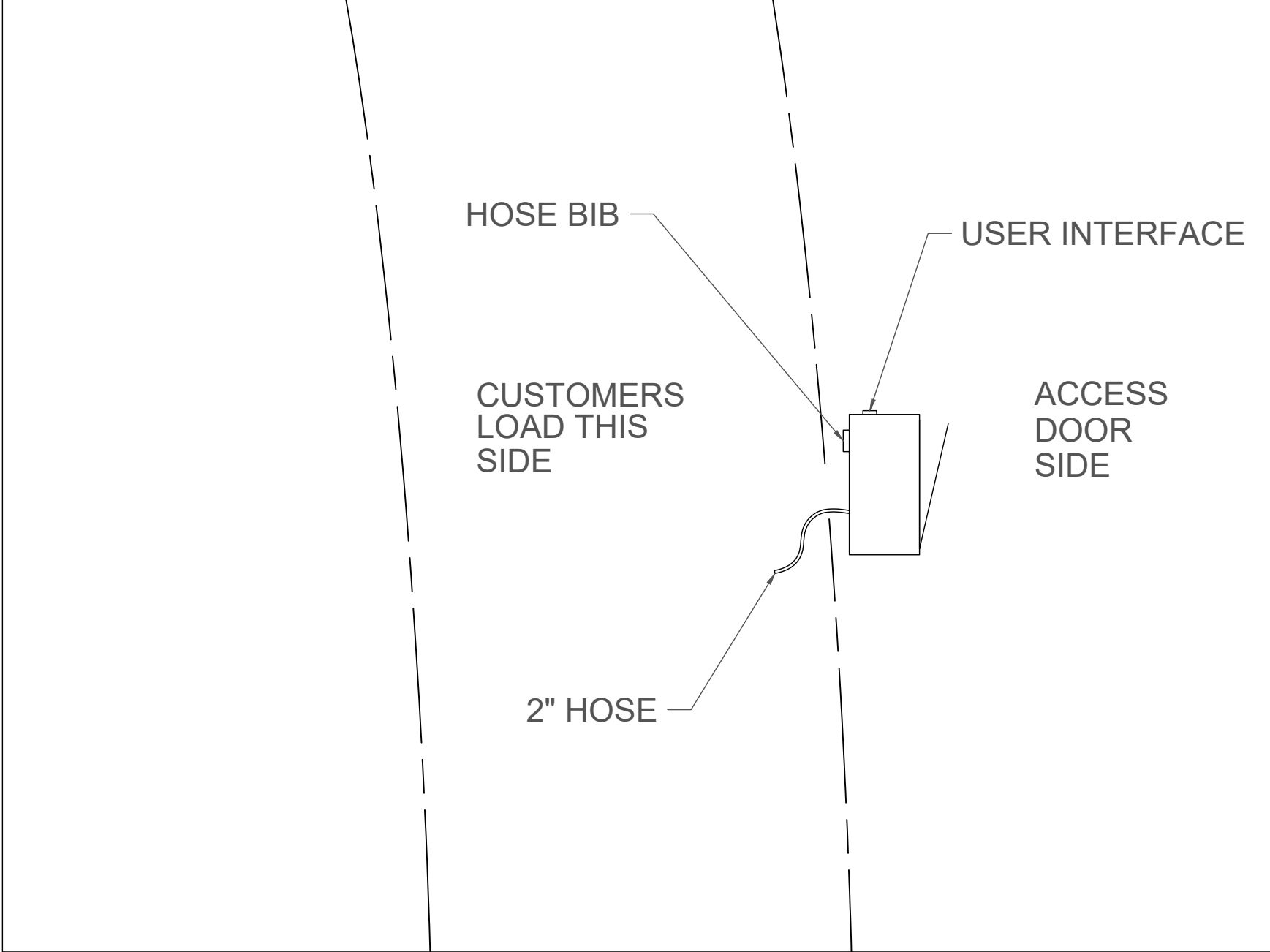
SLAB LAYOUT DETAIL

SCALE: 1/2" = 1'-0"

8

OF

9



			<b>AQUA FLOW INT'L. INC.</b> P.O. BOX 2841 FLAGSTAFF, AZ. 86003 <b>(928) 380-6164</b>		
2" SIDE WITH HOSE BIB LOADING STATION	SAMPLE SITE DRAWING	SCALE: 1/4" = 1'-0"			
9	OF	9			